

COST-EFFECTIVE SLOT SENSORS FOR LABEL DETECTION



- *Fast switching frequency up to 10 kHz*
- *Infrared LED light emission*
- *Trimmer for sensibility adjustment*
- *4 wire antivalent NPN and PNP outputs*
- *Compact metal housing with glass lenses*

The new **SR22** series of 2 mm slot sensors has been developed as the most cost-effective solution for label detection on reels.

The infrared LED emission allows to detect over even darker or thicker supports, while the low response time of only 100 μ s allows to reach a 10 kHz switching frequency in the faster labelling processes.

The label detection sensitivity is trimmer adjustable.

The compact metal housing with 40 mm slot depth fits even the most limited spaces.

The M8 4-pole connector offers simple and fast connection.

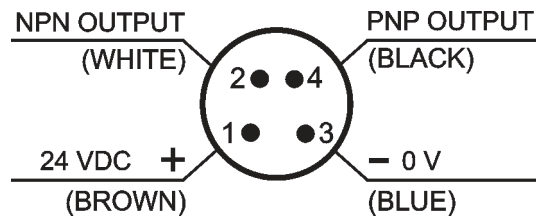
The power supply is 24 Vdc and versions with light or dark mode, both with double NPN and PNP outputs, are available.

TECHNICAL DATA

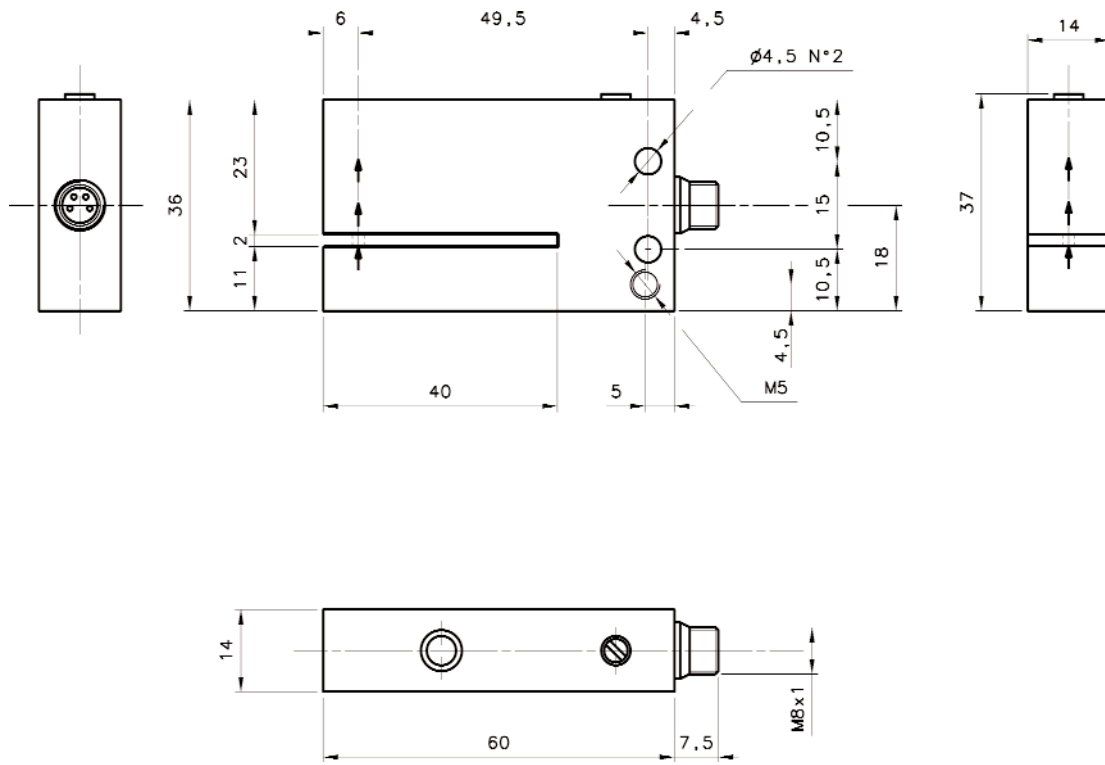
Power supply:	24 Vdc \pm 15%
Consumption:	55 mA max.
Light emission:	infrared LED 880 nm
Resolution:	1 mm
Slot width:	2 mm
Slot depth:	40 mm
Detection point depth:	6 mm
Setting:	trimmer
Indicators:	red OUTPUT LED
Output type:	NPN and PNP
Saturation voltage:	2 V max.
Output current:	200 mA max.
Response time:	50 μ s max.
Switching frequency:	10 kHz
Operating mode:	dark (SR22-5-IR-OD vers.) light (SR22-5-IR-OL vers.)
Connection:	M8 4-pole connector
Electrical protection:	class 1
Mechanical protection:	IP60
Housing material:	aluminium
Lens material:	glass
Weight:	100 g max.
Operating temperature:	-10 ... +60°C
Storage temperature:	-20 ... +70°C
Reference standard:	EN 60947-5-2
Certifications:	CE



CONNECTIONS



DIMENSIONS





MODEL SELECTION AND ORDER INFORMATION

MODEL	DETECTION MODE*	ORDER N°
SR22-5-IR-OD	dark	953101000
SR22-5-IR-OL	light	953101010

* *In the dark detection mode the output is activated when the label enters in the detection point inside the sensor slot.
In the light detection mode, the output is activated when the label is outside the detection point inside the sensor slot.*

Distributed by:

HEADQUARTERS

DATASENSOR SpA

via Lavino, 265 - 40050 Monte San Pietro, BO - Italy
Tel. +39 051/6765611 • Fax +39 051/6759324
www.datasensor.com • e-mail info@datasensor.com

Datasensor SpA endeavours to continuously improve and renew its products; for this reason the technical data and contents of this catalogue may undergo variations without prior notice. For correct installation and use Datasensor SpA can guarantee only the data indicated in the instruction manual supplied with the products.